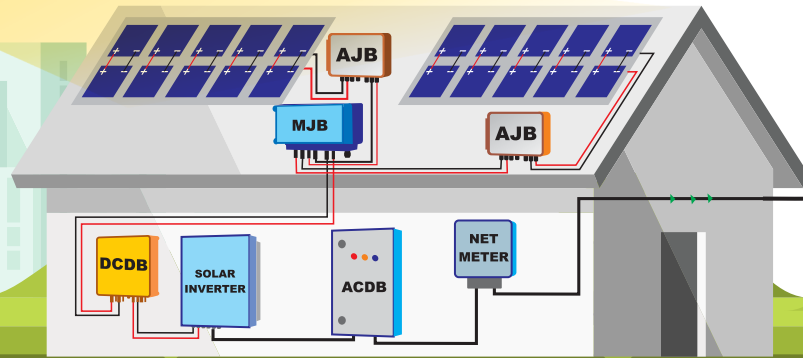




Solar
Green. Smart. Durable



MNRE approved channel partner

Solar AC Distribution Box (ACDB)

- The ACDB receives AC power from solar inverter and directs it to AC loads.
- ACDB is an important part of SPV system as it provides extra protection to the system in case of failures on load side.
- A provision can also be made in ACDB to monitor the consumption of power from SPV Power Plant.
- AC Distribution Box makes maintenance easier and enhances system reliability.
- Our ACDBs are designed to deliver high performance and added protection by isolating inverter from mains as and when required.
- Inclusion of ACDB significantly reduces overall system installation time.
- ACDB enables installer to isolate different loads from each other at same location thus making repair and maintenance much safer and faster.



www.hplindia.com



Features :-

- All of HPL- AC Distribution boxes are tested/certified as per IEC/IS standard.
- The enclosure is accessible only via the use of designated tools in order to ensure the protection.
- Customizable based solution as per customer needs & requirements
- Reliable electric safety to prevent.
- Wall mounting design for easy installation and maintenance
- Every terminal is secured and weather proof even for outdoor applications also, highly secure wiring, besides being insulated with PG Cable Gland or built-in MC4 terminal connector on demand.
- Protects the system if there is any fault during failure in AC side
- Internal Wiring with lugs, ferrules and dressing included



Model	Description	
ACDB-0101	1 IN 1 OUT	For Single Phase
ACDB-0102	1 IN 2 OUT	For Single Phase
ACDB-0103	1 IN 3 OUT	For Single Phase
ACDB-0101	1 IN 1 OUT	For Three Phase
ACDB-0102	1 IN 2 OUT	For Three Phase
ACDB-0103	1 IN 3 OUT	For Three Phase



HPL Electric & Power Ltd

Corp. Office : Windsor Business Park, B-1D, Sector-10,
Noida, U.P. - 201301, INDIA. | Tel.: +91-120-4656300
Registered Office : 1/21, Asaf Ali Road, New Delhi - 110 002, INDIA.
E-mail : solar@hplindia.com; hpl@hplindia.com

Customer Care No. :
18004190198

www.hplindia.com