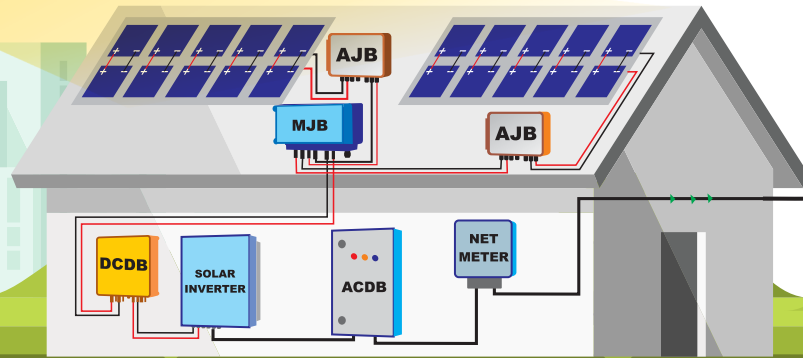




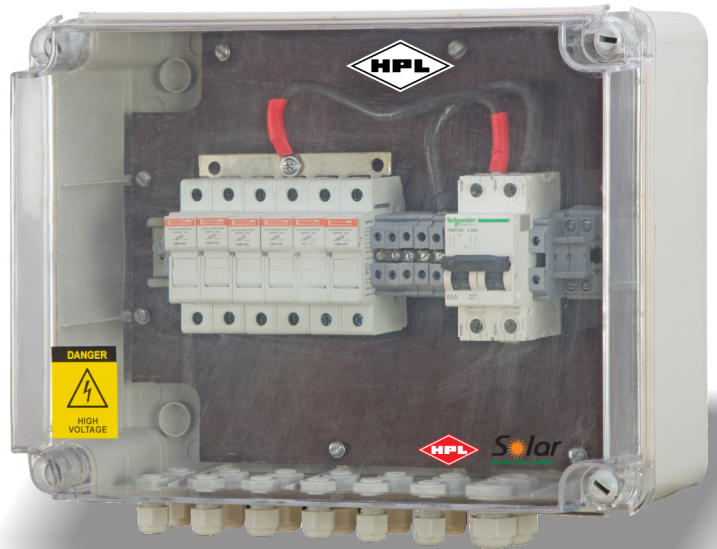
Solar
Green. Smart. Durable



MNRE approved channel partner

Solar AJB Array Junction Box

- Array Junction Boxes (AJB), also referred to as PV combiner boxes, basically collect DC power from PV strings with blocking diodes on each string for protecting panels from reverse current flow. The collected power is then transferred to power inverter.
- We offer highly functional PV Array Junction Box. PV Array Junction Box that we offer is fabricated with the use of latest technology and is suitable for different Solar Power applications. Our PV Array Junction Box is tested by the experts under strict industry norms to guarantee flawless functioning and durability.
- Array Junction Box is meant for combining all the incoming lines from the solar panel strings/arrays and deriving one common string/array output for the multiple array inputs.
- HPL array junction boxes are dust, vermin and waterproof and made of Thermoplastic (ABS).
- The HPL junction boxes have suitable cable entry points fitted with cable glands of appropriate sizes for both incoming and outgoing cables.

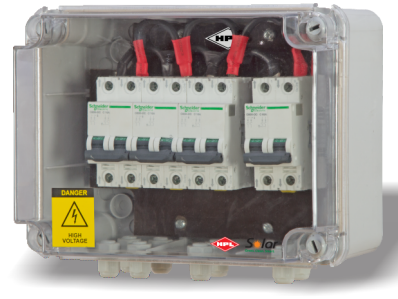
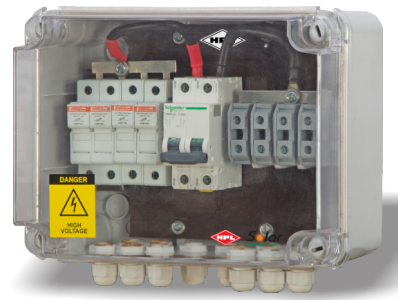
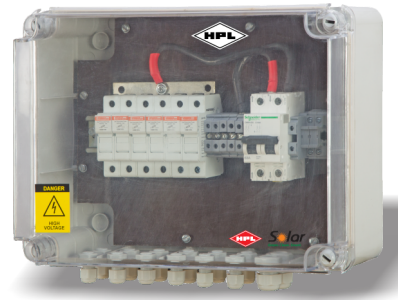
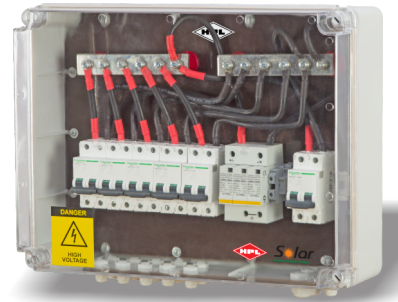


www.hplindia.com



Features :-

- HPL array junction boxes are total insulated according to the requirements of IEC 61439-1 as mandate by MNRE and tested up to an operating voltage of 1000 V DC.
- The enclosure is made of high quality polycarbonate.
- Degree of protection IP 65
- The enclosure is accessible only via the use of tools in order to ensure the protection
- Customizable based on customer needs.
- Blocks the reverse flow of current from battery to solar panels.
- Reliable electric safety to avoid hazard.
- Obstructs sudden surges due to lightening strokes during cloudy and rainy conditions and ground the surges immediately.
- Fuses for overload protection on each string.
- Blocking Diodes for reverse current flow protection (Optional).
- Easy DC-termination.
- Easy and decent Cable management.
- Time and money saver Solar String management.
- Space saving and orientation flexibility.
- Reliable electric safety to avoid hazard.



Model	Description	Output
AJB-0101	1 IN 1 OUT	For 1 Solar Array String
AJB-0201	2 IN 1 OUT	For 2 Solar Array String
AJB-0301	3 IN 1 OUT	For 3 Solar Array String
AJB-0401	4 IN 1 OUT	For 4 Solar Array String
AJB-0501	5 IN 1 OUT	For 5 Solar Array String
AJB-0601	6 IN 1 OUT	For 6 Solar Array String
AJB-0701	7 IN 1 OUT	For 7 Solar Array String
AJB-0801	8 IN 1 OUT	For 8 Solar Array String
AJB-1201	12 IN 1 OUT	For 12 Solar Array String
AJB-1801	18 IN 1 OUT	For 18 Solar Array String
AJB-2401	24 IN 1 OUT	For 24 Solar Array String



HPL Electric & Power Ltd

Corp. Office : Windsor Business Park, B-1D, Sector-10,
Noida, U.P. - 201301, INDIA. | Tel.: +91-120-4656300
Registered Office : 1/21, Asaf Ali Road, New Delhi - 110 002, INDIA.
E-mail : solar@hplindia.com; hpl@hplindia.com

Customer Care No. :
18004190198

www.hplindia.com