

Technology of Measurement...
defined

CT-2 Series Digital Energy Meters

- CT-2M - Counter Type Display
- CT-2E & CT-2EA - LCD Type Display

- Counter Type Display
- LCD Type Display



HPL brings you a wide range of AC Energy Meters
for LT application



METERING



Three Phase kWh Panel Meters - Counter Display



CT-2M
For LT Application
Counter Display

Specifications

- Digital measurement.
- CT Operated energy meter.
- 3 Ph 4 wire LT Application.
- Flush mounting compact design (96x96mm).
- Potential free pulse output for external energy totalization.

Accuracy

- Accuracy class 1.0.
- Accuracy maintained even under wide voltage fluctuation, from -40% to +20% of Reference Voltage.
- Accurate reading even under rapid current fluctuation.
- Accurate reading for balance as well as unbalance loads.

Anti Tamper Features

- Meter records correct energy with same accuracy under reverse current connection of one or all phases.
- Phase available indication provided.
- Meter Works on neutral removal.
- Meter works on removal of any one or two phases.

HPL

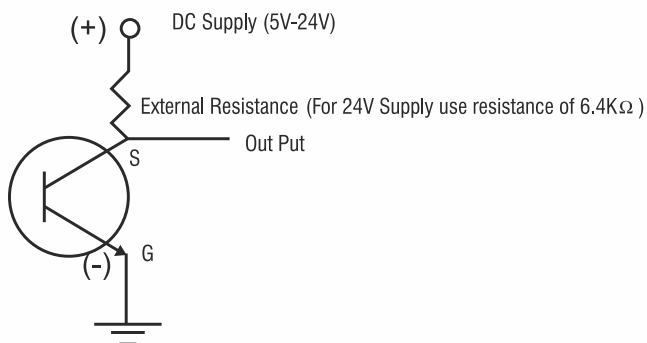




Technical Information of Panel Meters

CT-2M Meter	
Functions	Measures Energy accurately even under adverse supply for 3 phase 4 wire network.
Range	(1) -/5A (2) For direct reading with external CTs 50/5A 60/5A 75/5A 100/5A 125/5A 150/5A 200/5A 250/5A 300/5A 400/5A 500/5A 600/5A 800/5A
Conformity to Standards	IS 13779
Other Features	<ul style="list-style-type: none"> • Instantaneous start. • No separate Auxiliary supply is required. • Low power consumption less than 1 watt /Phase. • Saving of more than 30% over conventional meters. • Direct reading CT operated meter • Potential free pulse output for energy • No frequent adjustments required. • No mechanical wear & tear.

Pulse Output Wiring Diagram



Note:

- 1) Our Pulse Output is Open Collector Type.
- 2) External Resistance is to be used between DC Supply point & 'S' of our pulse output.
- 3) For 24V DC use an external resistance of 6.4K Ω .
- 4) This external resistance value will vary depending upon the external voltage (5-24V) being given by the user.

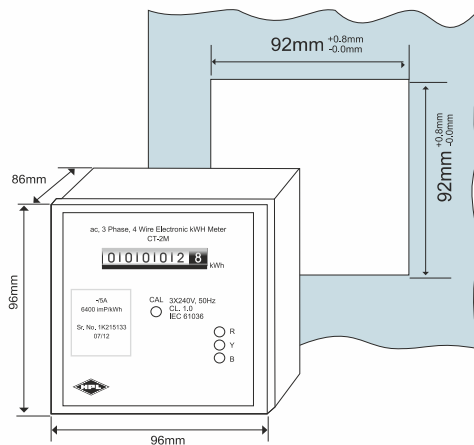
Technical Specification of CT-2M

CT-2M Meter	
Operating Voltage	240V, -40% to +20% Phase to Neutral
Frequency Range	50Hz \pm 5%
Display	5 + 1 digits for -/5A meter 6 digit for direct reading meter
Current Rating	-/5A
Operating Temp	-10°C. to 60°C.
Dimensions	96 x 96 x 86mm (L x W x H) (with connectors)
Accuracy	Class 1.0
LEDs	Four LEDs provided on front window for following indications. - Meter Calibration - Phase indication available for each phase. (3 Nos.)

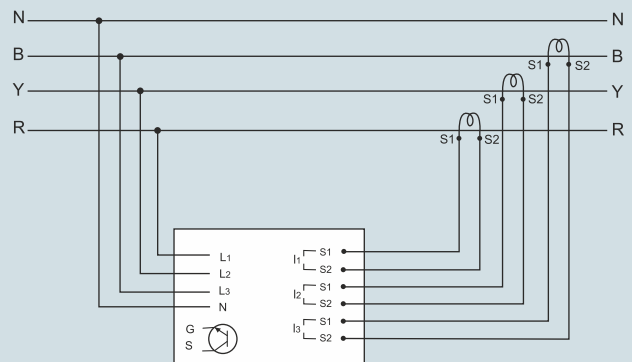
Panel Cutout Details

The panel Meter is installed on the cabinet's front panel and shall be secured firmly with cabinet using 4 transparent Clips

Use 0.5mm² to 2.5mm² Cable for Voltage terminal & 3mm² to 6mm² cable for Current terminals



CT-2M - Wiring Diagram





Three Phase kWh Panel Meters - LCD Display



CT-2E
3 Phase Panel Meter
LCD Display



CT-2EA
3 Phase Panel Meter
LCD Display

Technical Features

Functions

Measures Energy accurately even under adverse supply conditions.

Range

LT 3 Phase 4Wire suitable for:

- (1) -/5A CT Secondary
- (2) For direct reading with external CTs of 5A Secondary. The primary is selectable from 5A to 6000A in steps of 5A

Conformity to Standards

IS 13779 / IEC - 61036

Specifications

- Digital measurement
- CT Operated energy meter
- 3 Ph 4 wire LT Application
- Flush mounting compact design (96x96mm)
- Potential free pulse output for external energy totalization.
- Conforms to IS-13779 / IEC-61036

HPL



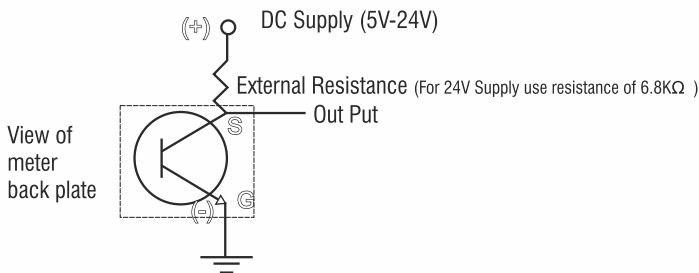
Other Features

- LCD type display.
- Low power consumption less than 1 watt per phase. Saving of more than 30% over conventional meters.
- Direct reading CT operated meter.
- Potential free pulse output for energy.
- Finger touch-proof terminals for CT & Voltage connections.
- RS 485 MODBUS available to connect up to 32 Nos. CT-2EA on one communication port over a cable distance of 1000 meters on a network. Totally 255 devices can be connected on a MODBUS network.

Technical Specification of CT-2E & CT-2EA Meter

Operating Voltage	240V, -40% to + 20% Phase to Neutral
Frequency Range	50 Hz \pm 5%
Display	6 digit for -/5A meter and 6+1 digit for direct measurement with a digit after decimal point
Operating Temp.	-10°C. to 55°C
Dimensions	96mm x 96mm x 86mm (L x W x H) (with connectors)
Power Consumption	Less than 1 watt / phase
Programming Keys	⊕ For Selection ⊖ For Confirmation
Pulse Output	Potential free contact
Pulse Duration	100m sec (Minimum)
Pulse Weight	1 Pulse = 1 kWh for direct reading = 100 wh for -/5A meter

Connection Diagram for Pulse output



Note:

- 1) Our Pulse Output is Open Collector Type.
- 2) External Resistance is to be used between DC Supply point & point 'S' of our pulse output.
- 3) For 24V DC use an external resistance of 6.8K Ω .
- 4) This external resistance value will vary depending upon the external voltage (5-24V) being given by the user.

Accuracy

- Accuracy class 1.0
- Accuracy maintained even under wide voltage fluctuation from -40% to +20% of Reference Voltage
- Accurate reading even under rapid current fluctuation.
- Accurate reading for balance as well as unbalance loads.

Anti Tamper Features

1. Records energy accurately under the following.

Tamper conditions:

- a) One or Two phases are removed. OR
- b) Neutral is Removed. OR
- c) Reverse current condition.

2. Indication on LCD in case of CT reverse connections.





Front View of CT-2E

1. kWh Display
2. CT Reverse Indication
3. Calibration LED : 15000 imp/kWh for -/5A
4. "D" key used for increment the value while setting password & CT Ratio
5. "↵" to confirm the entered value & to move the digit right to left



Applications of CT-2 Series Meters

- Air Conditioning and Refrigeration Panels.
- Industrial Application.
- Electrical Panels - Industrial HT & LT Panels.
- Motor Control Centers, Distribution Control & Relay Panels.
- Equipment Monitoring.
- Transmission and Distribution Panels.
- In control panel to control different electrical loads.
- Genset, Solar and UPS applications.
- Test Benches and laboratory equipment.
- Special OEM application.

Front View of CT-2M

1. kWh Counter Display
2. Phase Indication LED's
3. Calibration LED : 15000 imp/kWh for -/5A



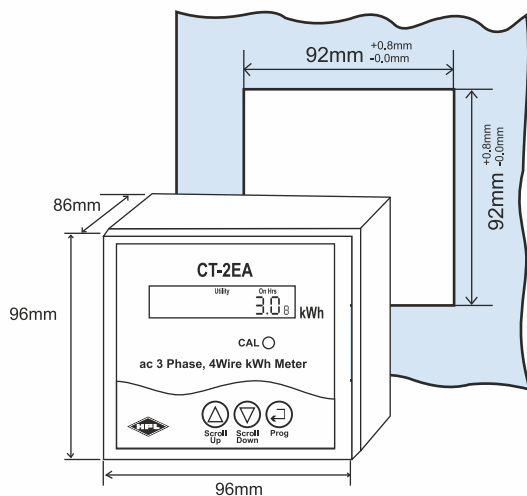
Ordering Information

Model	Description	CAT. Code
CT-2M	-/5A, LT-CT Operated or Direct Reading with Range 50/5A to 800/5A, Class 1.0	PAMCT2M005
CT-2E	-/5A, LT-CT Operated Programmable upto 6000A Primary Current, Class 1.0	PAMCT2E0005
CT-2EA	-/5A, LT-CT Operated Programmable upto 6000A Primary Current with RS485, Class 1.0	NPAMCT2EA005

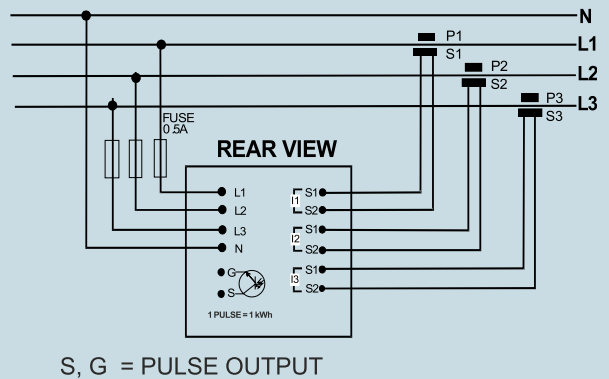
Panel Cutout Details

The panel Meter is installed on the cabinet's front panel and shall be secured firmly with cabinet using 4 transparent Clips

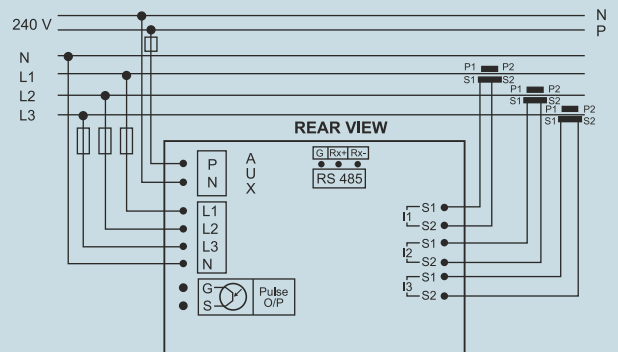
Use 0.5mm² to 2.5mm² Cable for Voltage terminal & 3mm² to 6mm² cable for Current terminals



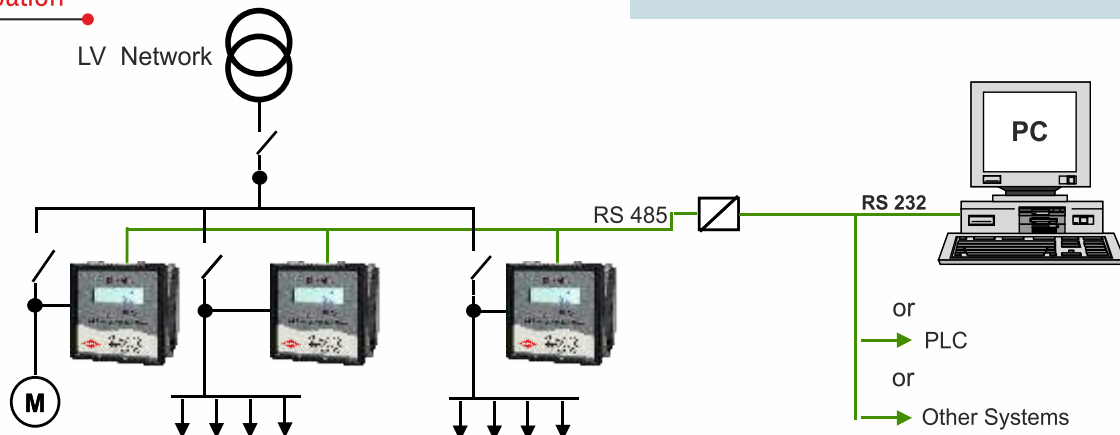
Wiring Diagram for CT-2E



Wiring Diagram for CT-2EA



Communication



HEPPL/CT-2 Series/0817



HPL Electric & Power Ltd

Corp. Office : Windsor Business Park, B-1D, Sector-10,
 Noida, U.P. - 201301, INDIA. | Tel.: +91-120-4656300
 Registered Office : 1/21, Asaf Ali Road, New Delhi - 110 002, INDIA.
 E-mail : hpl@hplindia.com; enquiry@hplindia.com

**Customer Care No. :
 18004190198**

www.hplindia.com