



Changeover Switch OFF LOAD



63A - DP



Offload C/o 09/17



HPL Electric & Power Ltd.

Corp. Office : Windsor Business Park, B-1D, Sector-10,
Noida, U.P. - 201301, INDIA. | Tel.: +91-120-4656300
Registered Office : 1/21, Asaf Ali Road, New Delhi - 110 002, INDIA.
E-mail : hpl@hplindia.com; enquiry@hplindia.com

Customer Care No. :
18004190198

www.hplindia.com



Changeover Switch OFF LOAD



Available in
DP & FP

16A - 2000A



Changeover Switch OFF LOAD

A complete range of aesthetically designed Offload Changeover Switches with **Side Handle Operation** available with wide application in all industries where individual system requires safe & reliable transfer of power from main supply to standby supply and vice versa.

Offload Changeover Switches are supplied in powder coated steel sheet enclosures, side operated with three positions: I – O – II

Range:

Side handle **Off load** changeover switch- AC 22.

- 32A & 63A / 240VAC in Double Pole Version.
- 16A ~ 2000 / 415VAC in Four Pole Version.

Specification:

- Conforms to IS/IEC: 60947-3.

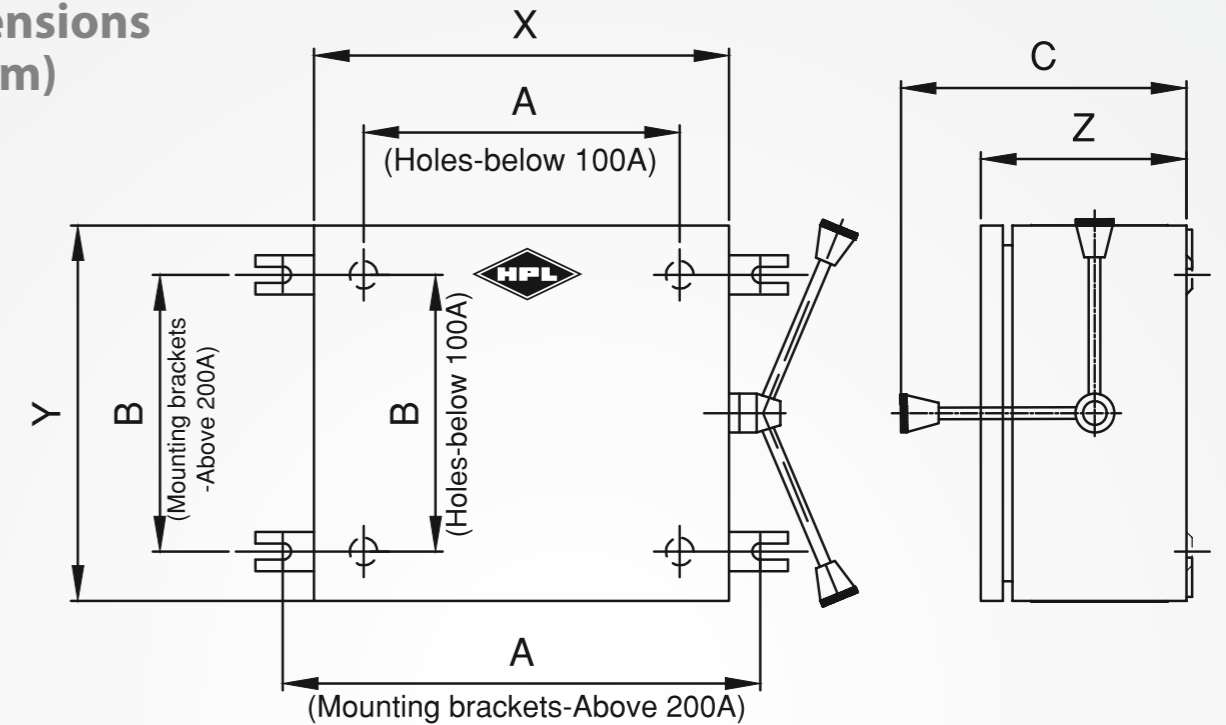
Features:

- Suitable for individual mounting (Inner mounting holes & mounting brackets are provided as part of sheet steel enclosures).
- Steel Sheet enclosure is duly powder coated for longer durable life.
- Provision for door interlocking, which ensures that the door cannot be open when the switch is in 'ON' position, thereby providing safety to human being.
- Termination suitable for Aluminum Cables also.
- Provision of arcing contacts in current ratings 200 Amps & above.
- Fixed contacts are mounted on terminal blocks used for cable terminations. These terminal blocks are made of DMC which has superior mechanical & electrical properties.
- Any pole suitable for Neutral.



Changeover Switch OFF LOAD

Dimensions (in mm)



Rating	Item Code	X	Y	Z	A	B	C	Size for cable entry & exit	Size of al. conductor	Size of knock-out
Double Pole										
32A	COS2DP32	142	200	85	90	150	165		16 SQ. MM	26 MM
63A	COS2DP63	210	200	110	160	150	170	180 X 47	25 SQ. MM	26 MM
Four Pole										
16A	COS4FP16	235	186	86	184	136	148		4 SQ. MM	19 MM
32A	COS4FP32	210	200	110	160	150	170	180 X 47	16 SQ. MM	26 MM
63A	COS4FP63	270	260	130	200	196	235	240 X 70	25 SQ. MM	32 MM
100A	COS4FP100	350	300	135	280	230	240	320 X 65	50 SQ. MM	32 MM
200A	COS4FP200	427	496	240	465	360	345	386 X 118	150 SQ. MM	50 MM
320A	COS4FP320	427	496	240	465	360	345	386 X 118	240 SQ. MM	50 MM
400A	COS4FP400	560	495	300	620	455	470	517 X 164	300 SQ. MM	51 MM
500A	COS4FP500	560	495	300	620	455	470	517 X 164		51 MM
630A	COS4FP630	560	495	300	620	455	470	517 X 164		51 MM
800A	COS4FP800	560	495	300	620	455	470	517 X 164		51 MM
1000A	COS4FP1000	660	615	555	682	550	870	626 X 205		51 MM
1250A	COS4FP1250	660	615	555	682	550	870	626 X 205		51 MM
1500 A	COS4FP1500	762	711	665	790	645	920	698 X 233		51 MM
2000 A	COS4FP2000	762	711	665	790	645	920	698 X 233		51 MM