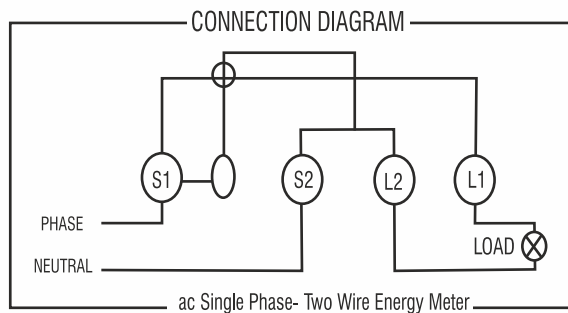


Wiring Diagram



Technical Specification

✓ Dimension	(L X W X H)
For 5-30A	127 X 56 X 142 mm
For 10-60A	127 X 60 X 142 mm
✓ Digit Height	10mm X 5 mm
✓ IP Protection	IP 54
✓ Current Rating	5-30A, 10-60A
✓ Ref. Voltage	240 V(P to N)
✓ Ref. Frequency	50 Hz
✓ Starting Current	0.4% of basic current
✓ Operating Temp.	-10° C to +60° C
✓ Overload Capacity	600% of Basic Current
✓ Power Consumption	less than 1 W

Display Parameters

Cumulative kWh

Model Available

SPEM 36 in class 1.0 as per IS:13779 for 10-60A

SPEM 02 in class 1.0 as per IS:13779 for 5-30A

Measures & Displays

Cumulative Active Energy

Ordering Information

DESCRIPTION	CAT Code
AC Single Phase Static Energy Meter of accuracy Class 1.0, Rating 5-30 A, 240V, 50Hz only kWh Meter with Sealing Screw provision	SPPB1310000000C00
AC Single Phase Static Energy Meter of accuracy Class 1.0, Rating 5-30 A, 240V, 50Hz only kWh Meter with Pilfer Proof Meter Box with Sealing Screw provision	SPPB13100000020C00
AC Single Phase Static Energy Meter of accuracy Class 1.0, Rating 10-60 A, 240V, 50Hz only kWh Meter with Sealing Screw provision	SPPB1510000000C00
AC Single Phase Static Energy Meter of accuracy Class 1.0, Rating 10-60 A, 240V, 50Hz only kWh Meter with Pilfer Proof Meter Box with Sealing Screw provision	SPPB15100000020C00

- This document is not a contract
- As part of our continuous improvement processes the specifications are subject to change without prior notice

HEPPLUCD MINI.0817

Single Phase Electronic Energy Meter

SPEM 36 & SPEM 02



Features :

- Display : Active Energy
- LCD Display with Backlit
- For 1 Phase 2 Wire LT Network
- Low Power Consumption



HPL Electric & Power Ltd

Corp. Office : Windsor Business Park, B-1D, Sector-10, Noida, U.P. - 201301, INDIA. | Tel.: +91-120-4656300
Registered Office : 1/21, Asaf Ali Road, New Delhi - 110 002, INDIA.
E-mail : hpl@hplindia.com; enquiry@hplindia.com

Customer Care No. :
18004190198

www.hplindia.com

• This document is not a contract • As part of our continuous improvement processes the specifications are subject to change without prior notice



METERING