

Osäfe

Residual Current Circuit Breaker



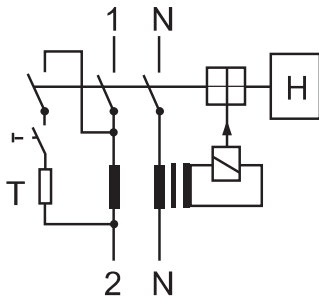
Residual Current Circuit Breaker

- Tested as per IEC 61008-1, IS 12640-1,
- Dedicated Earth leakage protection.
- Short Circuit Withstand capacity 10 kA
- In Double Pole & Four Pole version
- Protection against Electrocution, Short Circuit & Electrical Fire.
- Range: 25 Amp, 40 Amp, 63Amp & 80 Amp in 30mA, 100mA & 300mA
- Consistent performance, Compact & Space Saving
- Wide variety of nominal current.
- Automatic re-setting possible.

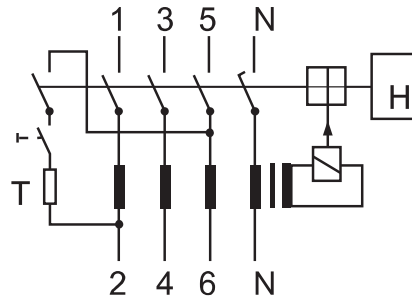


Connection Diagrams

2 Pole



4 Pole



Range



Double Pole
RCCB



Four Pole
RCCB

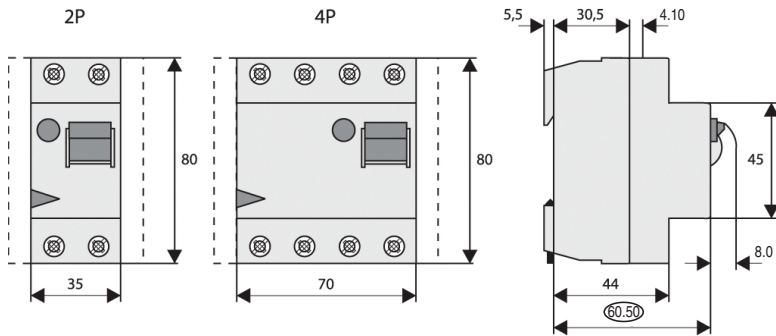


Test Switch



Contact position flag indicator

Description



Electrical

Rated voltage	230 / 400V; 50 Hz
Sensitivity/Rated Leakage tripping current	30, 100, 300 mA
Rated Conditional short circuit strength	10kA with 63 A gG back-up fuse 10kA with 80 A gG
Maximum back-up fuse for short circuit protection	63 A gG 80 A gG
Maximum back-up fuse for overload protection	25 A gG 40 A gG 50 A gG
Endurance	electrical mechanical
	> 4,000 operations



Cable Termination upto 35mm² Cable



3 Position Mounting Clip
Permits installation and removal without removing busbar.